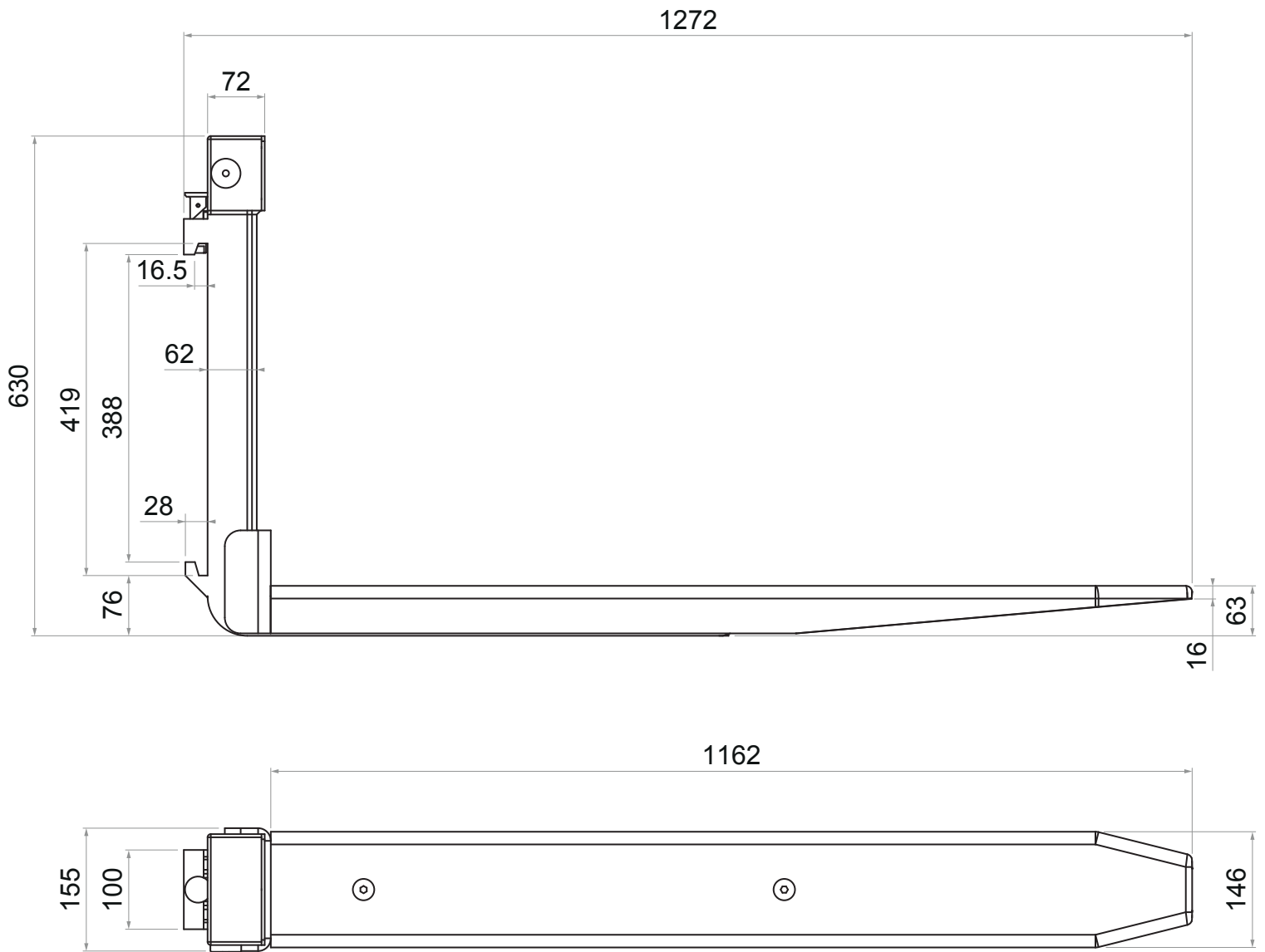


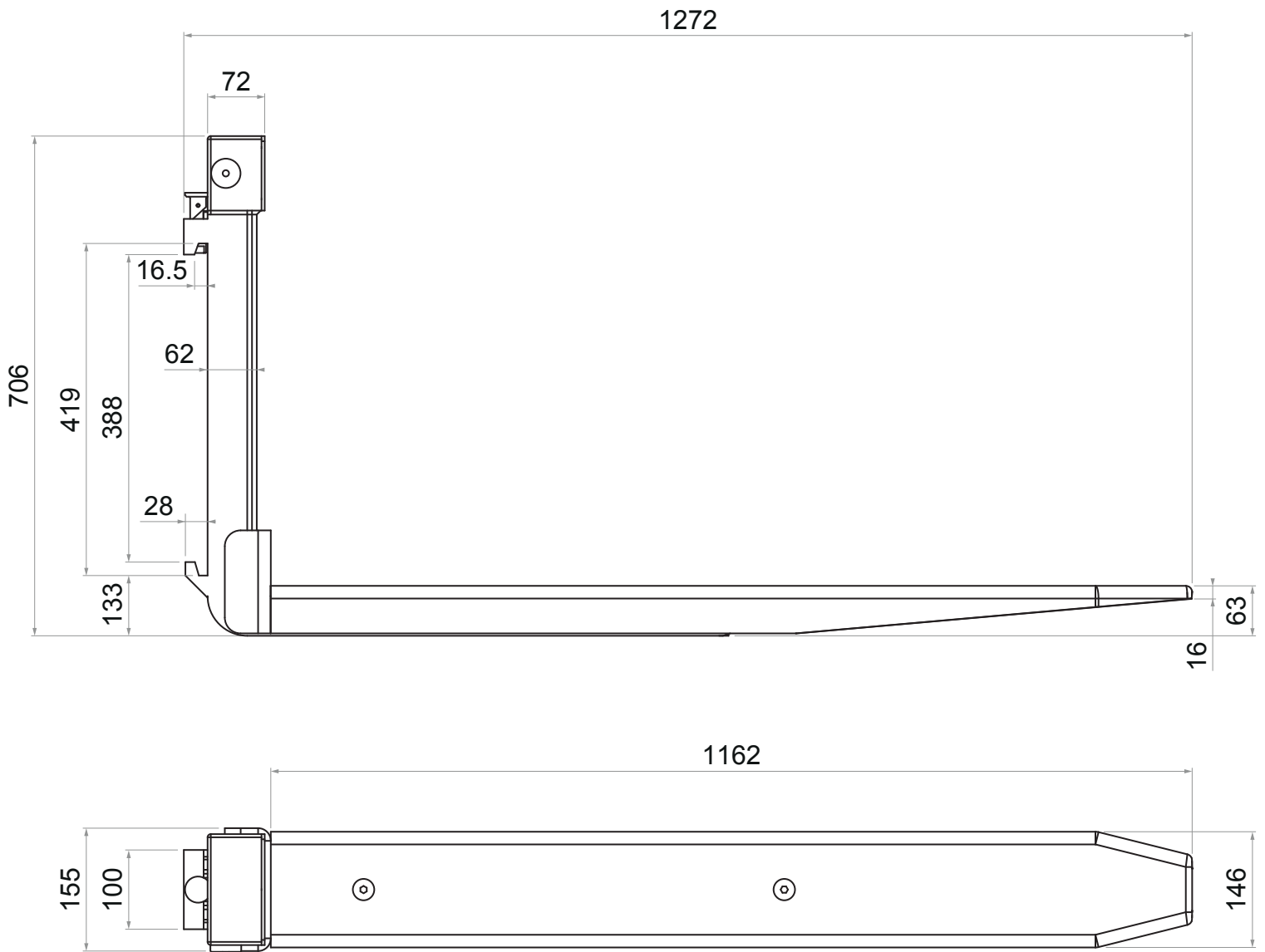
LTF SERIE IIA



dimensions in mm

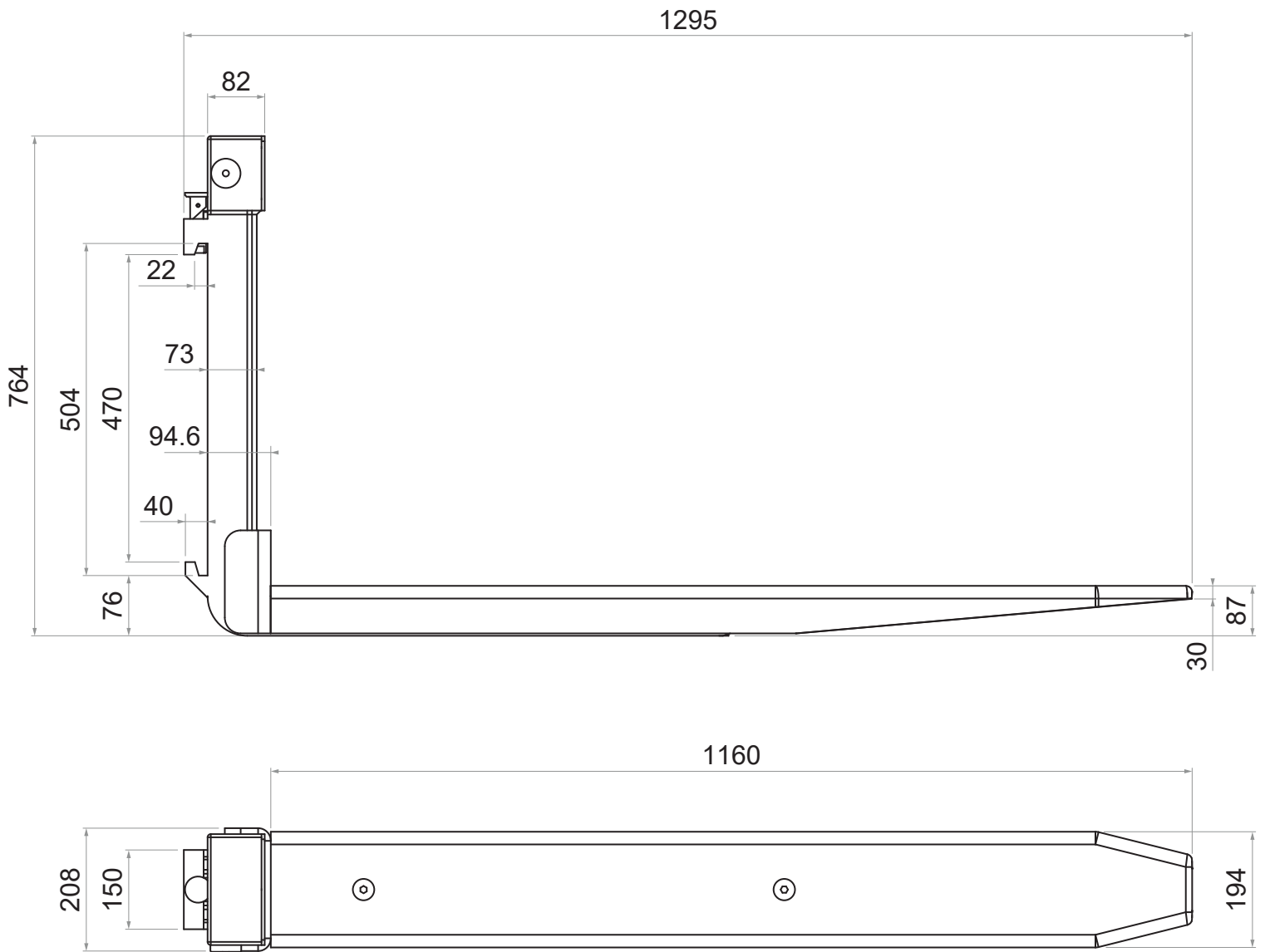
LTF SERIE IIB

(upon a request)



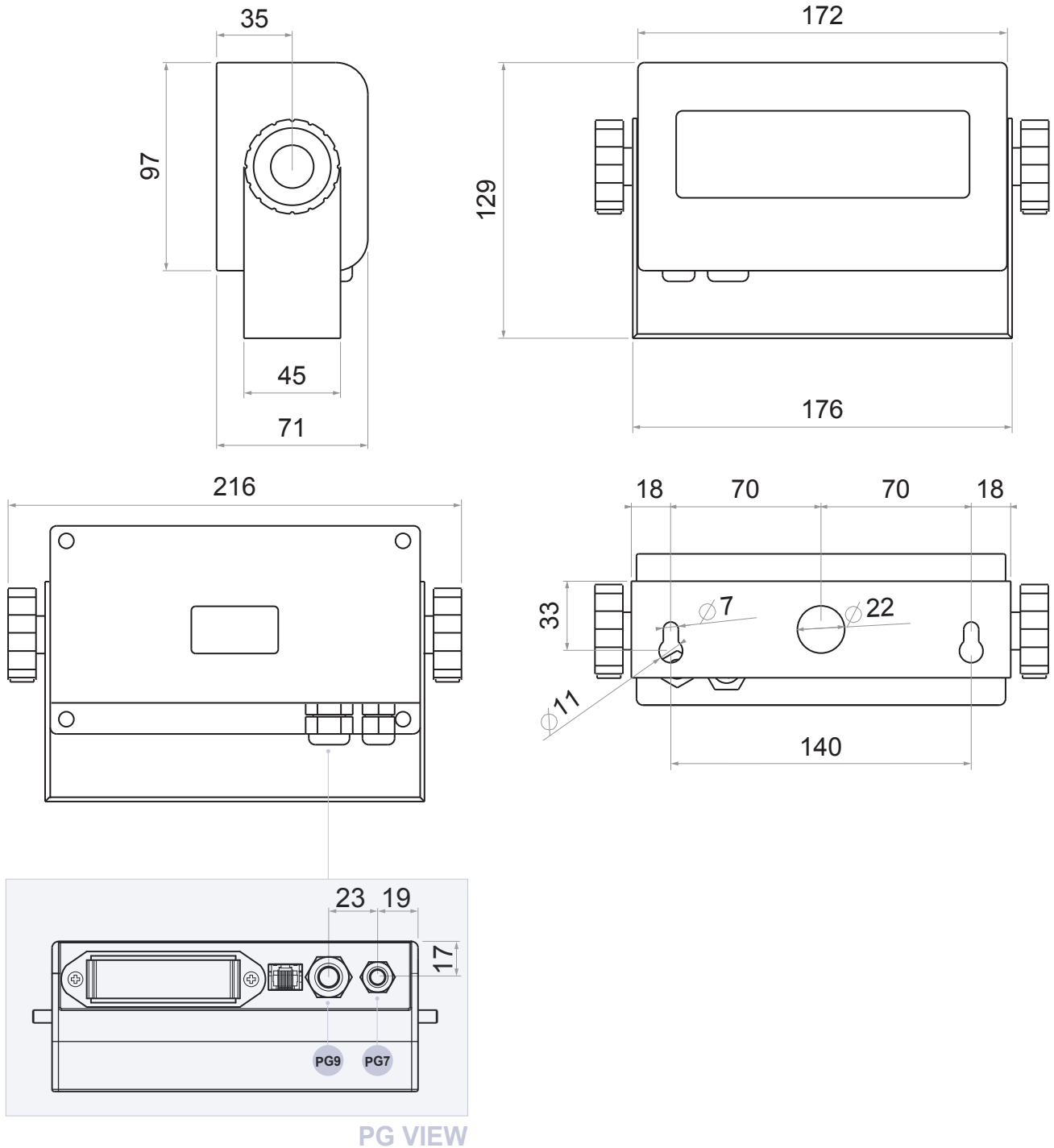
dimensions in mm

LTF SERIE IIIA



dimensions in mm

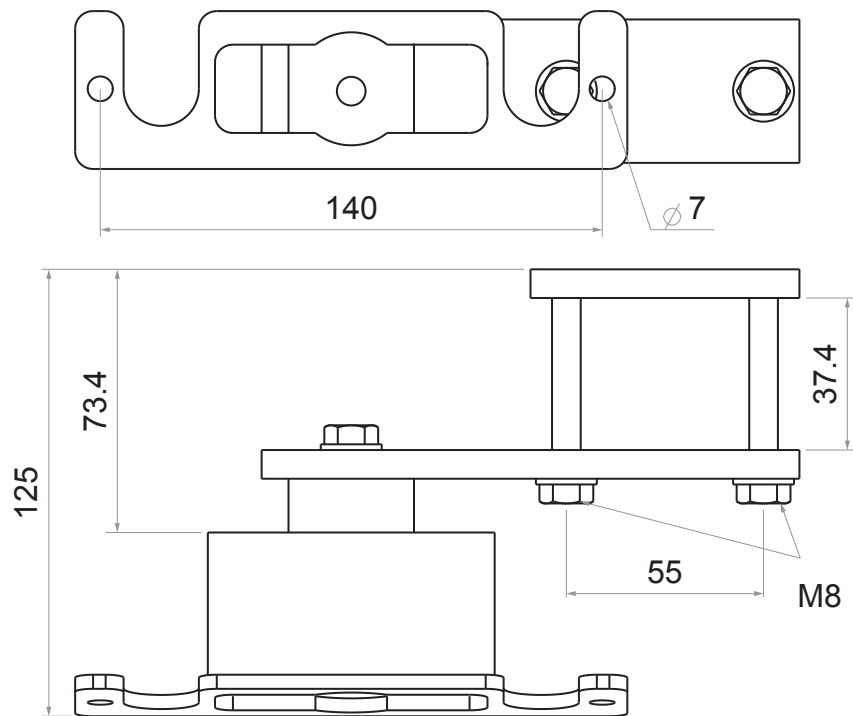
Cabin Indicator



Cable gland	Min. cable \varnothing (mm)	Max. cable \varnothing (mm)	Fastening torque (Nm)
PG7 - plastic	2,5	6,5	1,5
PG9 - plastic	3,5	8	2

dimensions in mm

STFL



dimensions in mm